

॥ श्री शंभेश्वर पार्श्वनाथाय नमः ॥

CIRCLIP PRICE LIST W.E.F 1-1-2012



MANUFACTURERS OF:

STAINLESS STEEL EXTERNAL / INTERNAL / 'E' TYPE CIRCLIPS,
DOWEL PINS (SPRING / SOLID) TAPER PINS & WASHER, PARALLEL KEYS

STOCKISTS IN :

ALL TYPE OF HIGH TENSILE FASTENERS, ALLEN CAP SCREW, GRUB SCREWS,
BOTTON HD & C.S.K CAP SCREWS, M.M THREADS CARRIAGE BOLTS.

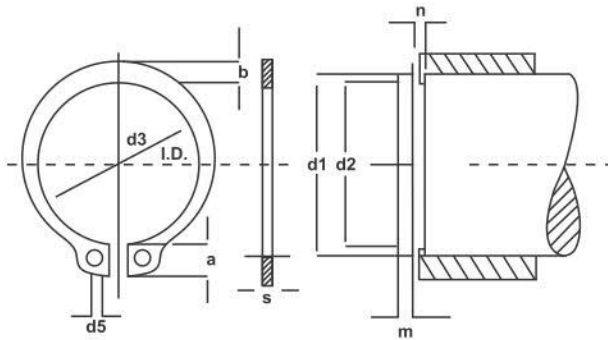
DIVYA ENGINEERS

Add.: J-254(2), G.I.D.C., Umbergaon - 396171, Dist. Valsad, Gujarat.

+91 9374962491, +91 9427141696 | Tel.: 0260-2562471

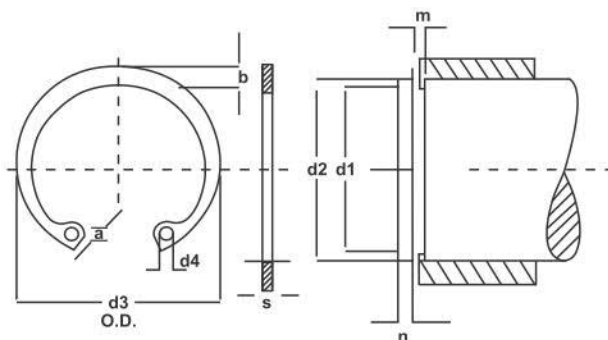
Email: divyaengineers@yahoo.com

EXTERNAL CIRCLIPS DIN-471-IS-3075



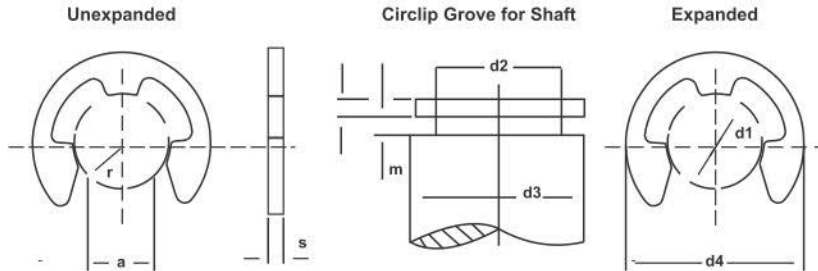
Size (mm) D1	Thickness (mm) S	I.D. (mm) D3	Price per 100 Nos.	Size (mm) D1	Thickness (mm) S	I.D. (mm) D3	Price per 100 Nos.
4	0.4	3.7	160.00	48	1.75	44.5	1495.00
5	0.6	4.7	160.00	50	2.00	45.8	1820.00
6	0.7	5.6	160.00	52	2.00	47.8	2080.00
7	0.8	6.5	160.00	55	2.00	50.8	2275.00
8	0.8	7.4	170.00	58	2.00	53.8	2730.00
9	1.0	8.4	175.00	60	2.00	55.8	2800.00
10	1.0	9.3	180.00	62	2.00	57.8	2860.00
11	1.0	10.2	190.00	65	2.50	60.8	3185.00
12	1.0	11.0	200.00	68	2.50	63.5	3770.00
13	1.0	11.9	200.00	70	2.50	65.5	3900.00
14	1.0	12.9	210.00	72	2.50	67.5	4550.00
15	1.0	13.8	220.00	75	2.50	70.5	4700.00
16	1.0	14.7	230.00	78	2.50	73.5	4950.00
17	1.0	15.7	250.00	80	2.50	74.5	5200.00
18	1.2	16.5	260.00	82	2.50	76.5	5450.00
19	1.2	17.5	270.00	85	3.00	79.5	6050.00
20	1.2	18.5	330.00	90	3.00	84.5	7300.00
21	1.2	19.5	360.00	95	3.00	89.5	7800.00
22	1.2	20.5	360.00	100	3.00	94.5	9100.00
24	1.2	22.5	390.00	105	4.00	98.0	9600.00
25	1.2	23.2	425.00	110	4.00	103.0	11400.00
26	1.2	24.9	425.00	115	4.00	108.0	13500.00
28	1.5	25.9	510.00	120	4.00	113.0	13700.00
30	1.5	27.9	520.00	125	4.00	118.0	16300.00
32	1.5	29.6	565.00	130	4.00	123.0	18900.00
34	1.5	31.4	715.00	135	4.00	128.0	19500.00
35	1.5	32.2	715.00	140	4.00	134.0	22100.00
36	1.75	33.2	880.00	145	4.00	138.0	23400.00
38	1.75	35.2	880.00	150	4.00	142.0	25400.00
40	1.75	36.5	975.00	160	4.00	151.0	28000.00
42	1.75	38.5	1010.00	170	4.00	160.0	45500.00
45	1.75	41.5	1170.00	180	4.00	170.0	48800.00
47	1.75	43.5	1365.00	190	4.00	180.5	52000.00
				200	4.00	190.5	55300.00

INTERNAL CIRCLIPS DIN-472-IS-3075



Size (mm) D1	Thickness (mm) S	O.D. (mm) D3	Price per 100 Nos.	Size (mm) D1	Thickness (mm) S	O.D. (mm) D3	Price per 100 Nos.
8	0.8	8.70	170.00	52	2.00	56.20	1200.00
9	0.8	9.80	170.00	55	2.00	59.20	1550.00
10	1.0	10.80	170.00	58	2.00	62.20	1700.00
11	1.0	11.80	170.00	50	2.00	64.20	1700.00
12	1.0	13.00	170.00	62	2.00	66.20	1750.00
13	1.0	14.10	175.00	65	2.50	69.20	2375.00
14	1.0	15.10	180.00	68	2.50	72.50	2550.00
15	1.0	16.20	190.00	70	2.50	74.50	2600.00
16	1.0	17.30	200.00	72	2.50	76.50	2800.00
17	1.0	18.30	200.00	75	2.50	79.50	3200.00
18	1.0	19.50	200.00	78	2.50	82.50	3500.00
19	1.0	20.50	210.00	80	2.50	85.50	4000.00
20	1.0	21.50	230.00	82	2.50	87.50	4750.00
21	1.0	22.50	290.00	85	3.00	90.50	4900.00
22	1.0	23.50	290.00	90	3.00	95.50	5000.00
24	1.20	25.90	300.00	95	3.00	100.50	5100.00
25	1.20	26.90	300.00	100	3.00	106.00	5600.00
26	1.20	27.90	310.00	105	4.00	112.50	6400.00
28	1.20	30.10	310.00	110	4.00	117.00	7200.00
30	1.20	32.10	330.00	115	4.00	122.00	7800.00
32	1.20	34.40	350.00	120	4.00	127.00	8100.00
34	1.50	36.50	490.00	125	4.00	132.00	9750.00
35	1.50	37.80	490.00	130	4.00	137.00	10500.00
36	1.50	38.80	520.00	135	4.00	142.00	13000.00
38	1.50	40.80	550.00	140	4.00	147.00	13000.00
40	1.75	43.50	660.00	145	4.00	152.00	15500.00
42	1.75	45.50	680.00	150	4.00	158.00	17500.00
45	1.75	48.50	740.00	150	4.00	169.00	19500.00
47	1.75	50.50	830.00	170	4.00	179.00	22750.00
48	1.75	51.50	975.00	180	4.00	189.00	28000.00
50	2.00	54.20	1050.00	190	4.00	199.00	35000.00
				200	4.00	209.50	40500.00

E - CLIPS DIN-6799



Nom Shaft Groove Dia d1	Retaining Ring				Shaft Diameter		Shaft Diameter					
	External Dia Expanded d4	"a"	Thickness		d3		Dia d2	m	Tol.	n	Price per 100 Nos.	
			H10	'S'	Tol	From						To
0.8	2.0	0.58	0.2	±0.02	1.0	1.4	0.8	0.24	±0.02	0.4	180.00	
1.2	3.0	1.01	0.3		1.4	2.0	1.2	0.34		0.6	50.00	
1.5	4.0	1.28	0.4		2.0	2.5	1.5	0.44	±0.03	0.8	50.00	
1.9	4.5	1.61	0.5		2.5	3.0	1.9	0.54		50.00		
2.3	6.0	1.94	0.6		3.0	4.0	2.3	0.64		1.0	50.00	
3.2	7.0	2.70			4.0	5.0	3.2				50.00	
4.0	9.0	3.34	0.7		5.0	7.0	4.0	0.74		1.2	60.00	
5.0	11.0	4.11			6.0	8.0	5.0				70.00	
6.0	12.0	5.26			7.0	9.0	6.0				80.00	
7.0	14.0	5.84			0.9	8.0	11.0				7.0	0.94
8.0	16.0	6.52	1.0	±0.03	9.0	12.0	8.0	1.05		±0.06	1.8	150.00
9.0	18.5	7.63	1.1		10.0	14.0	9.0	1.15			2.0	175.00
10.0	20.0	8.32	1.2		11.0	15.0	10.0	1.25	180.00			
12.0	23.0	10.45	1.3		13.0	18.0	12.0	1.35	2.5		350.00	
15.0	29.0	12.61	1.5		16.0	24.0	15.0	1.55	3.0		500.00	
19.0	37.0	15.92	1.75		20.0	31.0	19.0	1.80	3.5		1000.00	
24.0	44.0	21.88	2.0		25.0	38.0	24.0	2.05	4.0		2350.00	

SPRING DOWEL PINS

MADE FROM CARBON SPRING STEEL EN-42-J DIN 1481

DIN-1481

(PRICE PER 100 pcs)

Dia	1.5mm	2mm	3mm	4mm	5mm	6mm	8mm	10mm	12mm
Length	1/16"	3/32"	1/8"	5/32"	3/16"	1/4"	5/16"	13/32"	1/2"
12mm	120.00	120.00	120.00	135.00	160.00	200.00	255.00	450.00	600.00
15mm	125.00	120.00	125.00	150.00	170.00	230.00	270.00	490.00	710.00
20mm	130.00	130.00	145.00	170.00	190.00	240.00	315.00	525.00	860.00
25mm	150.00	145.00	155.00	175.00	220.00	285.00	375.00	630.00	900.00
30mm	175.00	155.00	180.00	200.00	240.00	330.00	400.00	675.00	1100.00
32mm	180.00	180.00	195.00	210.00	265.00	350.00	450.00	790.00	1125.00
35mm	220.00	208.00	215.00	240.00	310.00	390.00	465.00	900.00	1200.00
40mm	250.00	250.00	250.00	275.00	320.00	410.00	500.00	975.00	1240.00
45mm	275.00	260.00	285.00	300.00	365.00	435.00	525.00	1125.00	1275.00
50mm	350.00	300.00	305.00	380.00	405.00	480.00	600.00	1200.00	1540.00
55mm	-	-	325.00	415.00	490.00	585.00	675.00	1275.00	1650.00
60mm	-	-	-	440.00	560.00	640.00	780.00	1425.00	2025.00
65mm	-	-	-	-	630.00	750.00	900.00	1950.00	2550.00
70mm	-	-	-	-	730.00	900.00	990.00	2145.00	2750.00
75mm	-	-	-	-	810.00	1000.00	1100.00	2350.00	3100.00
80mm	-	-	-	-	890.00	1100.00	1245.00	2590.00	3350.00
90mm	-	-	-	-	920.00	1140.00	1305.00	2670.00	3610.00
100mm	-	-	-	-	970.00	1220.00	1390.00	2820.00	3850.00

DOWEL / TAPER PINS - METRIC

RATES PER - 100 NOS.

Size in mm	Dowel Pins Hard IS:6669	Taper Pins Soft DIN 1	Size in mm	Dowel Pins Hard IS:6669	Taper Pins Soft DIN 1	Size in mm	Dowel Pins Hard IS:6669	Taper Pins Soft DIN 1
2 x 10	400.00	425.00	5 x 45	640.00	660.00	10 x 25	770.00	740.00
2 x 12	410.00	450.00	5 x 50	680.00	700.00	10 x 30	790.00	790.00
2.5 x 15	425.00	460.00	5 x 55	700.00	725.00	10 x 35	870.00	870.00
2.5 x 20	440.00	475.00	5 x 60	715.00	740.00	10 x 40	950.00	950.00
2.5 x 25	450.00	490.00	5 x 65	770.00	800.00	10 x 45	1050.00	1060.00
2.5 x 30	470.00	540.00	5 x 70	790.00	825.00	10 x 50	1150.00	1160.00
			5 x 75	815.00	840.00	10 x 55	1300.00	1310.00
3 x 8	290.00	325.00	5 x 80	850.00	880.00	10 x 60	1450.00	1460.00
3 x 10	310.00	330.00				10 x 65	1580.00	1590.00
3 x 12	325.00	340.00	6 x 12	380.00	390.00	10 x 70	1750.00	1760.00
3 x 14	340.00	350.00	6 x 16	400.00	420.00	10 x 75	1910.00	1915.00
3 x 16	350.00	365.00	6 x 18	440.00	460.00	10 x 80	2100.00	2110.00
3 x 18	360.00	380.00	6 x 20	450.00	475.00	10 x 80	2100.00	2110.00
3 x 20	400.00	405.00	6 x 25	490.00	510.00	10 x 90	2400.00	2410.00
3 x 25	420.00	420.00	6 x 30	530.00	550.00	10 x 100	2800.00	2870.00
3 x 30	450.00	450.00	6 x 35	570.00	600.00	12 x 25	950.00	960.00
3 x 35	470.00	490.00	6 x 40	620.00	650.00	12 x 30	1050.00	1060.00
3 x 40	490.00	570.00	6 x 45	670.00	700.00	12 x 35	1225.00	1230.00
3 x 45	520.00	590.00	6 x 50	730.00	760.00	12 x 40	1275.00	1290.00
3 x 50	550.00	675.00	6 x 55	790.00	825.00	12 x 45	1430.00	1440.00
			6 x 60	860.00	890.00	12 x 50	1570.00	1580.00
4 x 8	310.00	325.00	6 x 65	910.00	950.00	12 x 55	1710.00	1740.00
4 x 10	325.00	340.00	6 x 70	960.00	1000.00	12 x 60	1850.00	1860.00
4 x 12	340.00	350.00	6 x 75	1000.00	1050.00	12 x 65	2030.00	2040.00
4 x 16	360.00	390.00	6 x 80	1070.00	1110.00	12 x 70	2170.00	2180.00
4 x 18	420.00	400.00	6 x 90	1180.00	1230.00	12 x 75	2420.00	2450.00
4 x 20	420.00	420.00	6 x 100	1270.00	1320.00	12 x 80	2590.00	2590.00
4 x 25	440.00	460.00				12 x 90	2940.00	2940.00
4 x 30	470.00	510.00	8 x 16	480.00	490.00	12 x 100	3150.00	3150.00
4 x 35	490.00	540.00	8 x 18	500.00	525.00			
4 x 40	540.00	590.00	8 x 20	525.00	550.00	16 x 25	1540.00	1540.00
4 x 45	560.00	620.00	8 x 25	560.00	600.00	16 x 30	1820.00	1820.00
4 x 50	620.00	675.00	8 x 30	620.00	700.00	16 x 35	2100.00	2100.00
4 x 55	650.00	740.00	8 x 35	700.00	740.00	16 x 40	2450.00	2450.00
4 x 60	680.00	840.00	8 x 40	800.00	805.00	16 x 45	2800.00	2800.00
4 x 65	715.00	1010.00	8 x 45	875.00	910.00	16 x 50	3080.00	3080.00
4 x 70	780.00	1050.00	8 x 50	1015.00	1040.00	16 x 55	3400.00	3390.00
			8 x 55	1050.00	1160.00	16 x 60	3700.00	3690.00
5 x 12	365.00	380.00	8 x 60	1160.00	1260.00	16 x 65	3920.00	3920.00
5 x 14	380.00	390.00	8 x 65	1260.00	1400.00	16 x 70	4270.00	4270.00
5 x 16	400.00	400.00	8 x 70	1400.00	1540.00	16 x 75	4620.00	4620.00
5 x 18	430.00	450.00	8 x 75	1540.00	1680.00	16 x 80	4900.00	4900.00
5 x 20	470.00	475.00	8 x 80	1680.00	1820.00	16 x 90	5450.00	5450.00
5 x 25	490.00	510.00	8 x 90	1820.00	1960.00	16 x 100	6450.00	6450.00
5 x 30	520.00	550.00	8 x 100	1960.00	2075.00			
5 x 35	560.00	610.00						
5 x 40	600.00	675.00	10 x 20	600.00	600.00			

DOWEL / TAPER PINS - METRIC

RATES PER - 100 NOS.

Size in mm	Dowel Pins Hard IS:6669	Taper Pins Soft DIN 1	Size in mm	Dowel Pins Hard IS:6669	Taper Pins Soft DIN 1	Size in mm	Dowel Pins Hard IS:6669	Taper Pins Soft DIN 1
3/32 x 3/8	425.00	460.00	3/16 x 2 1/2	750.00	1080.00	3/8 x 1 1/2	950.00	990.00
3/32 x 1/2	450.00	500.00	3/16 x 2 3/4	780.00	1150.00	3/8 x 1 3/4	1050.00	1120.00
3/32 x 3/4	470.00	530.00	3/16 x 3	820.00	1250.00	3/8 x 2	1150.00	1190.00
3/32 x 1	480.00	550.00	1/4 x 1/2	380.00	420.00	3/8 x 2 1/4	1640.00	1640.00
3/32 x 1 1/4	510.00	580.00		1/4 x 3/4	430.00	510.00	3/8 x 2 1/2	1680.00
1/8 x 1/2	340.00	360.00	1/4 x 1	450.00	540.00	3/8 x 3	1900.00	1360.00
1/8 x 3/4	360.00	380.00	1/4 x 1 1/4	510.00	610.00	3/8 x 3 1/2	2300.00	2380.00
1/8 x 1	425.00	470.00	1/4 x 1 1/2	600.00	750.00	3/8 x 4	2750.00	2870.00
1/8 x 1 1/4	500.00	510.00	1/4 x 1 3/4	650.00	810.00	1/2 x 1	950.00	980.00
1/8 x 1 1/2	520.00	550.00	1/4 x 2	710.00	850.00	1/2 x 1 1/4	1050.00	1200.00
1/8 x 1 3/4	550.00	610.00	1/4 x 2 1/4	880.00	1010.00	1/2 x 1 1/2	1260.00	1330.00
1/8 x 2	590.00	675.00	1/4 x 2 1/2	900.00	1080.00	1/2 x 1 3/4	1400.00	1460.00
5/32 x 1/2	360.00	370.00	1/4 x 3	975.00	1210.00	1/2 x 2	1540.00	1640.00
			5/16 x 3/4	520.00	550.00	1/2 x 2 1/4	1790.00	1900.00
5/32 x 3/4	400.00	430.00	5/16 x 1	550.00	600.00	1/2 x 2 1/2	2030.00	2100.00
5/32 x 1	435.00	460.00	5/16 x 1 1/4	690.00	750.00	1/2 x 3	2380.00	2520.00
5/32 x 1 1/4	520.00	525.00	5/16 x 1 1/2	800.00	805.00	1/2 x 3 1/2	2800.00	2870.00
5/32 x 1 1/2	560.00	610.00	5/16 x 1 3/4	840.00	880.00	1/2 x 4	3220.00	3220.00
5/32 x 1 3/4	600.00	660.00	5/16 x 2	970.00	1040.00	5/8 x 1 1/2	2660.00	2030.00
5/32 x 2	640.00	740.00	5/16 x 2 1/4	1050.00	1160.00	5/8 x 1 3/4	2940.00	2520.00
3/16 x 1/2	380.00	390.00	5/16 x 2 1/2	1200.00	1400.00	5/8 x 2	3150.00	3220.00
3/16 x 3/4	430.00	470.00	5/16 x 2 3/4	1330.00	1540.00	5/8 x 2 1/4	3700.00	3710.00
3/16 x 1	480.00	510.00	5/16 x 3	1470.00	1650.00	5/8 x 2 1/2	3920.00	3920.00
3/16 x 1 1/4	550.00	580.00	5/16 x 3 1/2	1820.00	1900.00	5/8 x 3	4480.00	4480.00
3/16 x 1 1/2	600.00	700.00	5/16 x 4	1960.00	2100.00	5/8 x 3 1/2	5320.00	5320.00
3/16 x 1 3/4	625.00	740.00	3/8 x 1	700.00	770.00	5/8 x 4	5600.00	5880.00
3/16 x 2	650.00	810.00		3/8 x 1 1/4	840.00	920.00		
3/16 x 2 1/4	680.00	950.00						

DISC SPRING TYPE - "A" (HARD SPRING) DIN 2093

Nominal Bold	I.D. (mm)	O.D. (mm)	Thickness (mm)	Height (mm)	Price in Rs. per 100 Nos.
4 mm	4.2	08.0	0.40	0.60	130.00
5 mm	5.2	10.0	0.50	0.75	140.00
6 mm	6.2	12.5	0.70	1.00	180.00
7 mm	7.2	14.0	0.80	1.10	240.00
8 mm	8.2	16.0	0.90	1.25	250.00
9 mm	9.2	18.0	1.00	1.40	360.00
10 mm	10.2	20.0	1.10	1.55	380.00
11 mm	11.2	22.5	1.25	1.75	600.00
12 mm	12.2	25.0	1.50	2.05	650.00
14 mm	14.2	28.0	1.50	2.15	750.00
16 mm	16.3	31.5	1.75	2.45	1400.00
18 mm	18.3	35.5	2.00	2.80	1550.00
20 mm	20.4	40.0	2.25	3.15	2500.00
22 mm	22.4	45.0	2.50	3.50	3100.00
25 mm	25.4	50.0	3.00	4.10	5000.00
28 mm	28.5	56.0	3.00	4.30	7000.00
30 mm	31.0	63.0	3.50	4.90	12000.00
35 mm	36.0	71.0	4.00	5.60	13000.00
40 mm	41.0	80.0	5.00	6.70	24000.00
45 mm	46.0	90.0	5.00	7.00	27000.00
50 mm	51.0	100.0	6.00	8.20	40000.00
55 mm	57.0	112.0	6.00	8.50	-

M. S. COTTER PINS INCH SIZE PRICE-LIST FOR HEAD TO SHORT LENGTH

Rate per 100nos
Unit in 100nos

INCH LENGTH	1/16" PIC-1	3/32" PIC-2	1/8" PIC-3	5/32" PIC-4	3/16" PIC-5	7/32" PIC-6	1/4" PIC-7
1/2"	11.00	16.00	23.00	-	-	-	-
3/4"	12.00	17.00	26.00	45.00	-	-	-
1"	14.00	21.00	30.00	52.00	70.00	-	-
1.1/4"	17.00	23.00	34.00	56.00	75.00	140.00	160.00
1.1/2"	22.00	25.00	40.00	65.00	90.00	140.00	175.00
2"	34.00	36.00	45.00	74.00	106.00	160.00	180.00
2.1/4"	40.00	45.00	50.00	81.00	122.00	165.00	195.00
2.1/2"	49.00	65.00	70.00	98.00	146.00	180.00	220.00
2.3/4"	49.00	65.00	70.00	98.00	146.00	180.00	220.00
3"	68.00	70.00	81.00	114.00	170.00	205.00	245.00
3.1/4"	68.00	70.00	81.00	114.00	170.00	205.00	245.00
3.1/2"	118.00	130.00	150.00	155.00	204.00	280.00	330.00
4"	118.00	130.00	150.00	155.00	204.00	280.00	330.00
4.1/4"	170.00	175.00	182.00	187.00	236.00	305.00	371.00
4.1/2"	-	-	-	-	260.00	380.00	473.00
5"	-	-	-	-	280.00	425.00	506.00
5.1/2"	-	-	-	-	340.00	500.00	591.00
6"	-	-	-	-	460.00	590.00	643.00

PARALLEL KEYS - METRICS STRIES-IS-2048-1983**MATERIAL : EN-8 STEEL (IN SOFT CONDITION) RATES PER PIECE**

(Size)	Rate (Each) Rs.
4 x 4 x 10	4.70
4 x 4 x 20	5.20
4 x 4 x 30	6.80
4 x 4 x 40	7.80
4 x 4 x 50	9.00
4 x 4 x 100	13.00
4 x 4 x 200	18.00
4 x 4 x 300	30.00
5 x 5 x 10	4.60
5 x 5 x 20	6.00
5 x 5 x 30	6.80
5 x 5 x 40	7.50
5 x 5 x 50	8.50
5 x 5 x 100	13.50
5 x 5 x 200	29.00
5 x 5 x 300	42.00
6 x 6 x 10	5.10
6 x 6 x 20	6.50
6 x 6 x 30	8.20
6 x 6 x 40	10.00
6 x 6 x 50	11.50
6 x 6 x 100	25.00
6 x 6 x 200	40.00
6 x 6 x 300	52.00
8 x 8 x 25	11.00
8 x 8 x 50	16.00
8 x 8 x 100	28.60
8 x 8 x 200	57.00
8 x 8 x 300	90.00
10 x 10 x 25	12.00
10 x 10 x 50	18.00
10 x 10 x 100	35.00
10 x 10 x 200	70.00
10 x 10 x 300	110.00
12 x 12 x 50	25.00
12 x 12 x 100	50.00
12 x 12 x 200	100.00
12 x 12 x 300	130.00
14 x 14 x 300	160.00
16 x 16 x 300	200.00
18 x 18 x 300	310.00
20 x 20 x 300	350.00
22 x 22 x 300	430.00

(Size)	Rate (Each) Rs.
25 x 25 x 300	460.00
40 x 40 x 300	1300.00
50 x 50 x 300	1920.00
8 x 7 x 15	8.00
8 x 7 x 20	8.00
8 x 7 x 50	13.00
8 x 7 x 100	24.00
8 x 7 x 200	44.00
8 x 7 x 300	65.00
8 x 6 x 300	75.00
10 x 8 x 20	11.00
10 x 8 x 50	16.00
10 x 8 x 100	35.00
10 x 8 x 200	58.00
10 x 8 x 300	85.00
12 x 8 x 25	12.00
12 x 8 x 30	13.00
12 x 8 x 50	18.00
12 x 8 x 100	40.00
12 x 8 x 200	72.00
12 x 8 x 300	100.00
12 x 10 x 30	160.00
14 x 9 x 25	14.00
14 x 9 x 50	29.00
14 x 9 x 100	54.00
14 x 9 x 200	98.00
14 x 9 x 300	135.00
14 x 10 x 300	180.00
14 x 12 x 300	200.00
16 x 10 x 30	22.00
16 x 10 x 50	29.00
16 x 10 x 100	58.00
16 x 10 x 200	106.00
16 x 10 x 300	160.00

(Size)	Rate (Each) Rs.
16 x 12 x 300	225.00
16 x 14 x 300	235.00
18 x 11 x 30	28.00
18 x 11 x 50	34.00
18 x 11 x 100	68.00
18 x 11 x 200	124.00
18 x 11 x 300	185.00
20 x 12 x 30	21.00
20 x 12 x 50	35.00
20 x 15 x 100	72.00
20 x 12 x 200	135.00
20 x 12 x 300	220.00
22 x 14 x 40	49.00
22 x 14 x 60	74.00
22 x 14 x 100	98.00
22 x 14 x 200	180.00
22 x 14 x 300	270.00
25 x 14 x 50	60.00
25 x 14 x 100	120.00
25 x 14 x 200	230.00
25 x 14 x 300	325.00
28 x 16 x 50	100.00
28 x 16 x 100	200.00
28 x 16 x 200	300.00
28 x 16 x 300	400.00
32 x 18 x 100	160.00
32 x 18 x 200	320.00
32 x 18 x 300	480.00
36 x 20 x 100	200.00
36 x 20 x 200	400.00
36 x 20 x 300	600.00
40 x 22 x 100	270.00
40 x 22 x 200	500.00
40 x 22 x 300	840.00
45 x 25 x 100	357.00
45 x 25 x 300	1065.00
50 x 28 x 100	470.00
50 x 28 x 300	1350.00
56 x 32 x 300	

SS CIRCLIP (EXTERNAL)	
(Size)	Rate (Each) Rs.
4 mm	3.00
5 mm	3.00
6 mm	3.00
8 mm	3.00
9 mm	3.00
10 mm	3.00
11 mm	3.00
12 mm	3.00
13 mm	3.50
14 mm	3.50
15 mm	4.00
16 mm	4.50
17 mm	5.00
18 mm	6.00
19 mm	6.50
20 mm	7.00
22 mm	8.00
24 mm	9.00
25 mm	9.50
26 mm	10.50
28 mm	18.00
30 mm	20.00
32 mm	22.00
35 mm	30.00
38 mm	48.00
40 mm	50.00
42 mm	68.00
45 mm	70.00
47 mm	90.00
50 mm	100.00
55 mm	100.00
60 mm	120.00
65 mm	150.00
70 mm	180.00
75 mm	200.00
80 mm	240.00
85 mm	300.00
90 mm	350.00
100 mm	400.00

SS CIRCLIP (INTERNAL)	
(Size)	Rate (Each) Rs.
10 mm	3.50
11 mm	3.50
12 mm	3.50
14 mm	4.00
15 mm	4.00
16 mm	4.50
17 mm	5.00
18 mm	5.25
19 mm	5.75
20 mm	6.50
22 mm	7.00
24 mm	9.00
25 mm	9.00
26 mm	9.00
28 mm	18.00
30 mm	20.00
32 mm	20.00
35 mm	20.00
36 mm	28.00
38 mm	30.00
40 mm	36.00
42 mm	40.00
45 mm	50.00
47 mm	50.00
50 mm	60.00
52 mm	60.00
55 mm	75.00
60 mm	75.00
62 mm	80.00
65 mm	150.00
70 mm	180.00
72 mm	180.00
75 mm	180.00
80 mm	240.00
82 mm	300.00
85 mm	350.00
90 mm	350.00
100 mm	400.00
110 mm	800.00

SS "E"CLIP	
(Size)	Rate per 100 Pcs.
1.5	80.00
1.9	80.00
2.3	100.00
3.2	120.00
4.0	140.00
5.0	150.00
6.0	180.00
7.0	250.00
8.0	300.00
9.0	350.00
10.0	400.00
12.0	600.00
15.0	1800.00
19.00	3000.00